



Continental's ExpressDry™ Drying Tumblers offer unrivaled speed and energy-efficiency to deliver greater profits. The advanced technology of ExpressDry curbs gas consumption while unique features eliminate downtime, bolster programmability and improve ease of use.

- KTT30
- KTT45
- KT030
- KT055
- KT075

## EXPRESSDRY™ DRYING TUMBLERS

### DELIVERING EFFICIENCY THROUGH INGENUITY

*The Continental ExpressDry™ line of drying tumblers delivers quicker drying using fewer BTUs per load. Available in 30-, 55- and 75-pound capacity single pocket units, and 30- and 45-pound capacity dual-pocket stack units, ExpressDry packages the best in programmability, durability, efficiency and ease of use!*

#### UNMATCHED ENERGY-EFFICIENCY

Independent laboratory testing confirms that ExpressDry Drying Tumblers are Continental's fastest and most efficient drying tumblers ever! Requiring fewer BTU's per load than most other dryers on the market, ExpressDry Tumblers can cut the gas consumed to dry a load by up to 7.1 percent. This savings in gas usage can significantly cut associated gas costs—bringing more profit to a store's bottom line. ExpressDry's high-level efficiency is achieved through axial airflow—an advanced drying technology in which heated air is directed through the load from back to front (standard on all units except 75-pound capacity tumbler). Perforated cylinders and lifting ribs on the inside of the drum maximize airflow and tumbling action while also preventing tangling. The result is fast and efficient drying—exactly what self-service laundry owners and customers want!

#### EXPANDED OPTIONS—INTRODUCING THE SUPERSTACK90

The ExpressDry SuperStack90 is among the first of its size in the industry, with two 45-pound capacity pockets. The SuperStack90 allows greater drying capacity per square foot when compared with traditional 30-pound capacity dual-pocket units. It not only improves customer turnover by offering a quicker dry with greater laundry poundage, it delivers improved profit potential per square foot for storeowners!

#### UNIQUE STACK FEATURES

Both the ExpressDry Stack60 and SuperStack90 feature separate coin vaults and microprocessor controls for each tumbler pocket. Because the tumblers don't share a single coin vault, they can hold more coins—up to \$126 more. Thus coin collecting is required less often—saving storeowners valuable time. And, in the event that the coin drop becomes jammed, filled, or the control malfunctions, only one tumbler is out-of-service, not two. The other pocket is still operational and collecting revenue! ExpressDry stack units also feature a smaller footprint than competitive models with similar basket capacity—almost one square foot less per machine! That means self-service laundries can decrease their laundry's square footage, and in doing so, boost profits. In the coin laundry industry, space is at a premium, with rent costs gobbling up more than 24 percent of an average laundry's gross revenue, according to the Coin Laundry Association. Make that space count with equipment of smaller dimensions and greater load capacity!

#### DURABILITY UNMATCHED

Durability characterizes ExpressDry Tumblers. They feature rugged cylinders, dual motors to provide separate power for basket rotation and airflow, and durable kick-plates, cart bumpers and door bars to protect tumblers from outside impacts. The oversized doors on ExpressDry Tumblers are constructed of premium steel and secured with heavy-duty hinges. For safety, an automatic high-limit thermostat only allows the dryer to achieve a set temperature. No wonder these dryers are backed by an industry-leading 3-year warranty!

By reducing the BTUs required to dry a load, storeowners can significantly decrease gas consumption expenses. When compared to other dryers on the market, ExpressDry can cut BTU usage by 7 percent or more. Here's an example of what a savings of 2,184 BTUs/load savings can equate to:

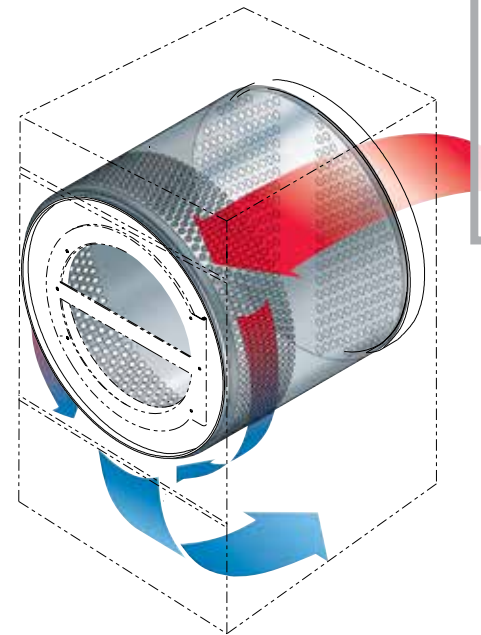
$2,184 \text{ BTUs/load} \times 8 \text{ loads/day} \times 365 = 6,377,280 \text{ BTUs/yr}$

$6,377,280 \text{ BTUs}/100,000 = 63.8 \text{ therms saved}$

$63.8 \text{ therms} \times \$1.10 \text{ gas cost} = \$70.18 \text{ savings/pocket}$

$\$70.18 \times 20 \text{ dryers}(40 \text{ pockets}) = \mathbf{\$2,807.20 \text{ annual savings}}$

\* All calculations above are based on independent lab testing by Intertek of ExpressDry model KTT30. Continental makes no guarantee of actual results as conditions may vary.



efficient axial airflow



dual drops & controls



dual motors



**ExpressDry Stack60**  
30-pound capacity stack

**ExpressDry SuperStack90**  
45-pound capacity stack

**ExpressDry30**  
30-pound capacity

**ExpressDry55**  
55-pound capacity

**ExpressDry75**  
75-pound capacity

### CUSTOMER APPEAL

While ExpressDry Tumblers are engineered for unmatched durability and ease of use, they are also aesthetically and robustly designed. Available in white or stainless steel, the tumblers feature a unique, mirror-polished stainless steel backplate on each cylinder. The backplate looks as good as it works; it effectively reduces linen wear, offers unsurpassed durability and draws customers in for a closer look!

### THE DIFFERENCE IS IN THE DETAILS

Designed with details and features that matter, the cylinders of Continental's ExpressDry line feature oblong hole perforations. The holes are purposely oval shaped, rather than round, to prevent items, such as drywall screws, from catching in the holes and causing extensive damage to the dryer cylinder.

### INSTALLATION THAT MAKES SENSE

Crafty engineering makes ExpressDry Tumblers simpler and less costly to install. Thanks to a smaller footprint, more tumblers can be installed per square foot, with each requiring just one exhaust connection and one gas connection. Lowering costs further are ExpressDry electrical requirements. The drying tumblers require a simple 120V/20amp breaker and 12-gauge wire, which is less expensive to install and operate than most other stack tumblers.

### PROGRAMMABILITY. IT MATTERS!

ExpressDry Tumblers feature advanced microprocessors that allow storeowners superior control over the drying process. The ExpressDry microprocessor control allows for programmable time, temperature, cool-down and more. Conveniently, the dryers feature multiple coin-drop options, including standard quarter, token, dual drop, dual denomination or world drop. Of course, every model is also available to interface with most any card vending system on the market! Finally, the control offers an easy-to-use graphic display, an advanced diagnostics system and an auditing ability that details total number of cycles, coins or start pulses for card systems, and total top-offs performed.

### ERGONOMIC & EASY TO MAINTAIN

Ergonomic and easy to maintain, ExpressDry single-pocket units feature self-cleaning lint screens and an oversized lint compartment that simplifies the regular task of lint removal. Further contributing to ease of maintenance are conveniently accessible components including the cylinder rollers that are easily accessed by removing the lint compartment. The location and accessibility of the dryer motors and electrical components further adds to the simplicity of serviceability and maintenance. ExpressDry Tumblers feature oversized steel doors with ergonomic metal door bars—simplifying loading and unloading and protecting the tumbler from outside impacts!



oversized doors



unique cylinder holes



single gas connection



Coin Control



component accessibility

	dual-pocket models		single-pocket models		
	Stack60 KTT30	SuperStack90 KTT45	ExpressDry30 KT030	ExpressDry55 KT055	ExpressDry75 KT075
<b>DIMENSIONS &amp; WEIGHTS</b>					
Capacity <i>lbs (kg)</i>	2 x 30 (13.6)	2 x 45 (20.4)	30 (13.6)	55 (24.9)	75 (34)
Cylinder Diameter <i>inch (mm)</i>	30 (762)	33 (838)	26.5 (673)	33 (838)	37 (939)
Cylinder Depth <i>inch (mm)</i>	26 (660)	30 (762)	30 (762)	35 (889)	36 (914)
Cylinder Volume <i>cu. ft (dm<sup>3</sup>)</i>	10.6 (301)	14.8 (421)	9.6 (271)	17.3 (491)	22.4 (634)
Net Weight <i>lbs. (kg)</i>	544 (247)	673 (305)	331 (150)	435 (197)	615 (279)
Crated Weight <i>lbs.(kg)</i>	582 (264)	718 (326)	364 (165)	476 (216)	677 (307)
Machine Width <i>inch (mm)</i>	31.5 (800)	34.5 (876)	28 (711)	34.5 (876)	38.62 (981)
Machine Depth <i>inch (mm)</i>	42.76 (1086)	48.62 (1235)	46.87 (1191)	53.62 (1362)	54.25 (1378)
Machine Height					
<i>Gas/Electric inch (mm)</i>	76.25 (1937)	81.06 (2059)	63.87 (1622)	66.72 (1695)	76.62 (1946)
<i>Steam inch (mm)</i>	76.25 (1937)	—	63.87 (1622)	66.72 (1695)	80 (2032)
Door Opening <i>inch (mm)</i>	22.68 (576)	26.89 (683)	22.68 (576)	26.89 (683)	26.89 (683)
Floor to Door <i>inch (mm)</i>	Top: 48 (1219)	Top: 49 (1245)	27.5 (699)	26.87 (683)	28.75 (730)
Shipping Dimensions <i>inch (mm)</i> (WxDxH)	32.5 x 47 x 81 (825 x 1194 x 2057)	35.5 x 54 x 85 (902 x 1372 x 2159)	30 x 49 x 69 (762 x 1245 x 1753)	35.5 x 59 x 72 (902 x 1499 x 1829)	41.5 x 56.4 x 81 (1054 x 1433 x 2057)
<b>CONNECTIONS</b>					
Motor Power <i>Hp (kW)</i>	2 @ 1/4 (0.19)	2 @ 1/2 (0.37)	2 @ 1/4 (0.19)	2 @ 1/2 (0.37)	3/4 (0.56)
Reversing Motor Power <i>Hp (kW)</i>	—	—	—	—	2 @ 1/3 (0.25)
Exhaust Diameter <i>inch (mm)</i>	8 (203)	10 (254)	6 (152)	8 (203)	8 (203)
Exhaust Air Flow <i>cfm (l/s)</i> 60 Hz	400 (189)	600 (283)	500 (236)	700 (330)	920 (434)
Gas Connection <i>inch</i>	1/2 NPT	1/2 NPT	1/2 NPT	1/2 NPT	1/2 NPT
Gas Heating <i>BTU/h per pocket (Kcal/h)</i>	73,000 (18390)	95,000 (23930)	73,000 (18390)	112,000 (28230)	165,000 (41580)
<b>AVAILABLE VOLTAGES</b>					
Available Voltages/Amps (Gas)					
120/208-240/60/1	8x2/4x2	—	12/6.7	9.2/6.5	—
120/60/1	—	—	—	—	13.8
208-240/60/1	—	6 x 2	—	—	—
200-208/240/60/3	3.2 x 2	4.8 x 2 / 4.8 x 2	3.2/3.2 (4.0/4.0)	4.0/3.9 (4.0/4.5)	3.8/3.8 (4.3/4.3)
440/60/3 (steam only)	—	—	—	—	1.9 (2.1)
460-480/60/3	1.6 x 2	—	1.6	—	1.9 (2.1)
Electric Heating <i>kW</i>	21	—	21	27	30
Available Voltages/Amps (Electric)					
208/60/1	108 x 2	—	108 (108)	129 (129)	—
240/60/1	—	—	94 (94)	115 (115)	—
200-208/60/3	62 x 2	—	62 (62)	79 (79)	89 (88)
240/60/3	54 x 2	—	54 (54)	65 (65)	79 (78)
440/60/3	—	—	—	—	41 (41)
460-480/60/3	27 x 2	—	27 (27)	—	—
480/60/3	—	—	—	—	38 (38)

\* Product specifications are subject to change without notice. For the most current and complete technical specifications, architectural line drawings and warranty information, please visit [www.continentalgirbau.com](http://www.continentalgirbau.com).



**CONTINENTALCARE™**  
 BUY WITH COMPLETE CONFIDENCE  
 INDUSTRY-LEADING FACTORY WARRANTY



DISTRIBUTED BY:



[www.continentalgirbau.com](http://www.continentalgirbau.com) • 800-256-1073  
 2500 State Road 44 • Oshkosh, WI 54904 • 920-231-8222 • Fax 920-231-4666